



ELR - DIN 35mm

FEATURES

- Leakage current monitoring.
- Bar graph to indicate leakage current as a percentage.
- Test & Amp reset function.
- CBCT open circuit detection.
- User selectable trip time delay.

Display Specifications

Display	: 3 Digits 7 Segment LED Display
No. of LED	: 7 Digits
No. of Keys	: 2

LED Indication Chart

Condition	'mA'	A	TRIP	DISPLAY
Normal Condition	ON	OFF	OFF	VALUE
Normal Condition	OFF	ON	OFF	VALUE
CBCT FAULT	OFF	OFF	OFF	CBCT OPEN
TRIP	ON	OFF	ON	OVR
TRIP	OFF	ON	ON	OVR

Input Specifications

Functions

Measurements	: Earth Leakage Current Monitoring (via external CBCT)
Time Settings	: Trip time delay
Alarm Indications	: Trip, CBCT error
Latching	: Selectable
Reset	: Auto / Manual (Selectable)
Electrical Connection	: 1Phase-2wire, 3Phase-4wire, 3Phase-3wire

Trip Settings

Trip Leakage Current Range	: 30mA - 30A
Display Current Range	: 10mA - 33A

Trip Time Settings

Trip Time Delay	: 0-600sec
Response Time	: <30ms (If trip current = 5 x set value & Instantaneous trip is ON) <50ms (If trip current =1 x set value)

Resolution

Current	: 0.1mA, 1mA, 0.01A, 0.1A (Depends on trip Setting)
---------	--

Accuracy

Current	: $\pm 5\%$ of Setting
Time	: $\pm 5\%$ of Setting 100ms

Output Specifications

No. of Relays	: 2
Type of Output (Relay)	: 2 C/O (SPDT)
Relay Rating	: NO / 5A@250V AC / 28V DC NC / 3A@250V AC / 28V DC

Auxiliary Supply Specifications

Supply Voltage	: 230V AC $\pm 10\%$
Frequency	: 50 - 60Hz
Power Consumption	: 4VA max

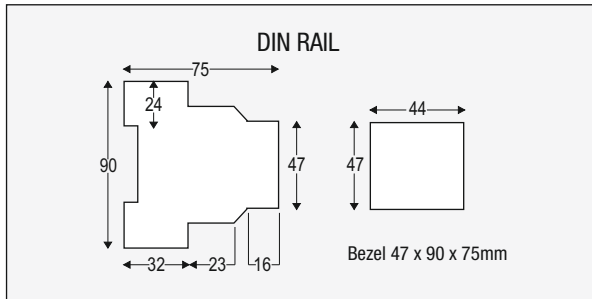
Environmental Specifications

Temperature	: Operating Temperature : 0 to 55C Storage Temperature : -20 to +70C
Humidity (Non-condensing)	: 95% Rh
Pollution Degree	
For PCB	: 2
For Product	: 3
Degree of Protection Devices	: IP20

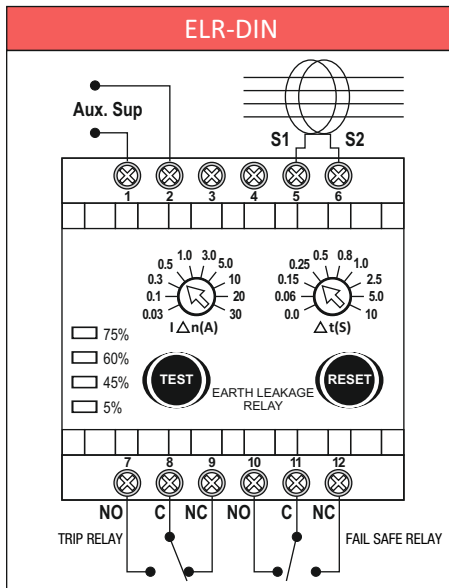
Mechanical Specifications

Mounting	: Channel Mounting
Size	: DIN
Weight	: 250gms approx.
Screw Tightening Torque	: 0.5 NM

Mechanical Specifications



Connection Diagram



Ordering Information

Product Name	Discription
ELR-DIN	Channel Mounting



96 x 96mm

FEATURES

- Leakage current monitoring in 1Phase and 3Phase system.
- Bar graph to indicate leakage current as a percentage.
- Test & reset function.
- CBCT open circuit detection.
- User selectable trip time delay.

Display Specifications

Display	: 3 Digits 7 Segment LED Display
No. of LED	: 8 Digits
No. of Keys	: 2

LED Indication Chart

Condition	'mA'	A	TRIP	DISPLAY
Normal Condition	ON	OFF	OFF	VALUE
Normal Condition	OFF	ON	OFF	VALUE
CBCT FAULT	OFF	OFF	OFF	CBCT OPEN
TRIP	ON	OFF	ON	OVR
TRIP	OFF	ON	ON	OVR

Input Specifications

Functions

Measurements	: Earth Leakage Current Monitoring (via external CBCT)
Time Settings	: Trip time delay, Recovery time delay
Alarm Indications	: Trip, CBCT error
Latching	: Selectable
Reset	: Auto / Manual (Selectable)
Electrical Connection	: 1Phase-2wire, 3Phase-4wire, 3Phase-3wire

Trip Settings

Trip Leakage Current Range	: 30mA - 30A
Display Current Range	: 10mA - 33A

Trip Time Settings

Trip Time Delay	: 0-600sec
Response Time	: < 30ms (If trip current = 5 x set value & Instantaneous trip is ON) < 50ms (If trip current =1 x set value)

Resolution

Current	: 0.1mA, 1mA, 0.01A, 0.1A (Depends on trip Setting)
---------	--

Accuracy

Current	: $\pm 5\%$ of Setting
Time	: $\pm 5\%$ of Setting 100ms

Output Specifications

No. of Relays	: 2
Type of Output (Relay)	: 2 C/O (SPDT)
Relay Rating	: NO / 5A@250V AC / 28V DC NC / 3A@250V AC / 28V DC

Auxiliary Supply Specifications

Supply Voltage	: 230V AC $\pm 10\%$
Frequency	: 50 - 60Hz
Power Consumption	: 4VA max

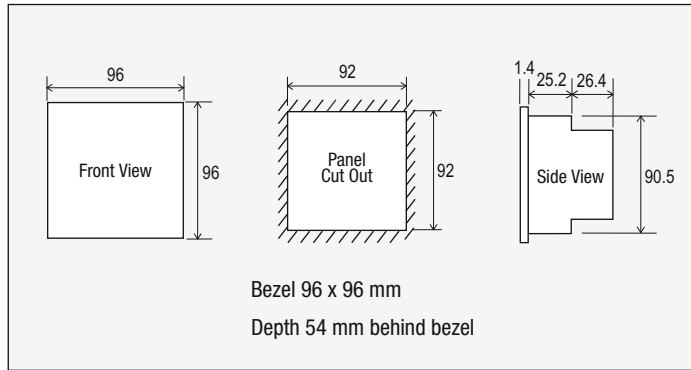
Environmental Specifications

Temperature	: Operating Temperature : 0 to 55C Storage Temperature : -20 to +70C
Humidity (Non-condensing)	: 95% Rh
Pollution Degree	
For PCB	: 2
For Product	: 3
Degree of Protection Devices	: IP20

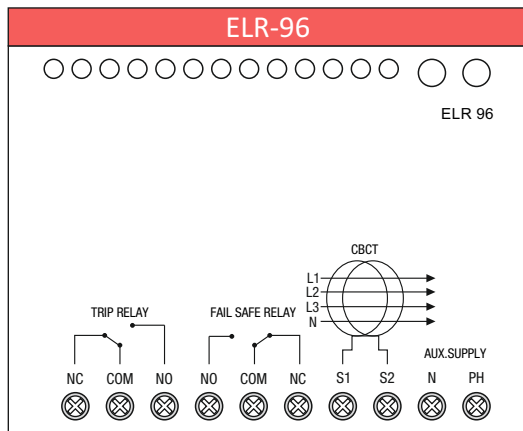
Mechanical Specifications

Mounting	: Panel Mount
Size	: 96 x 96mm
Weight	: 250gms approx
Screw Tightening Torque	: 0.5 NM

Mechanical Specifications



Connection Diagram



Ordering Information

Product Name	Discription
ELR-96	Digital Earth leakage Relay 96x96mm